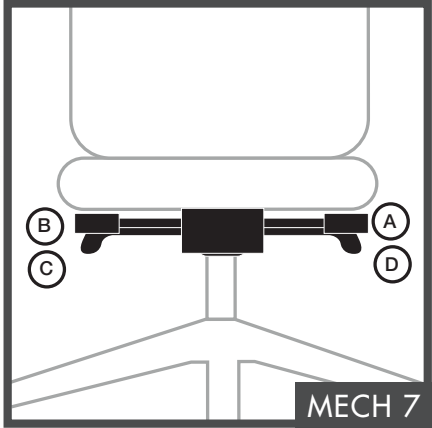




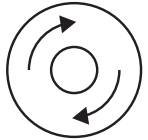
GRESHAM

# MOVE UP



## A BACK ADJUSTMENT LOCK

When back rest is in desired position turn handle backwards to lock.



## B BACK ANGLE ADJUSTMENT

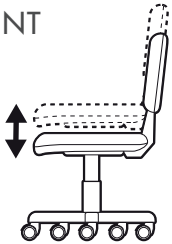
Turn handle to adjust tension.



## C SEAT HEIGHT ADJUSTMENT

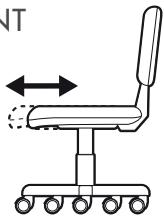
**To lift:**  
Remove body weight from seat, press lever upwards.

**To lower:**  
Sit on seat, press lever upwards.

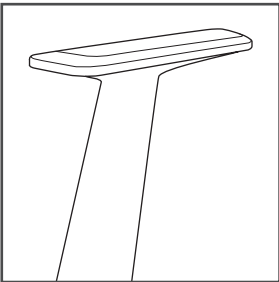


## D SEAT DEPTH ADJUSTMENT

Lift lever to release, push forward or backward to desired position, release to lock.



## ARMS



**A23**  
Black Fixed Arms